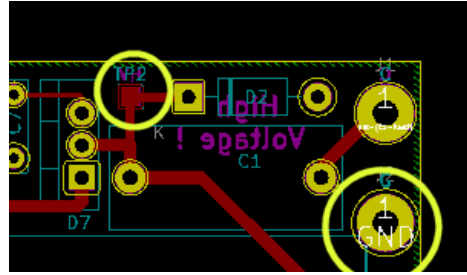
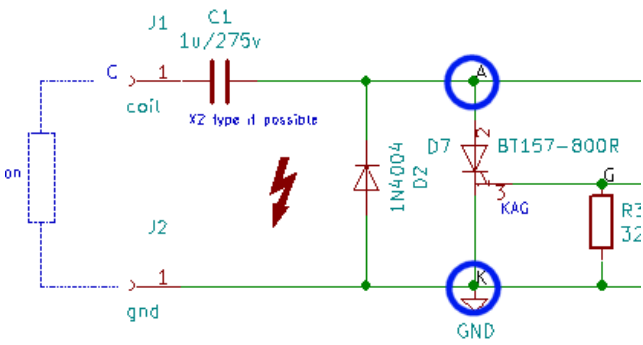
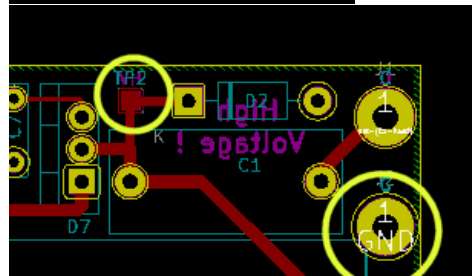
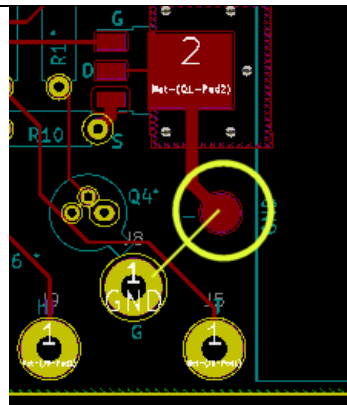
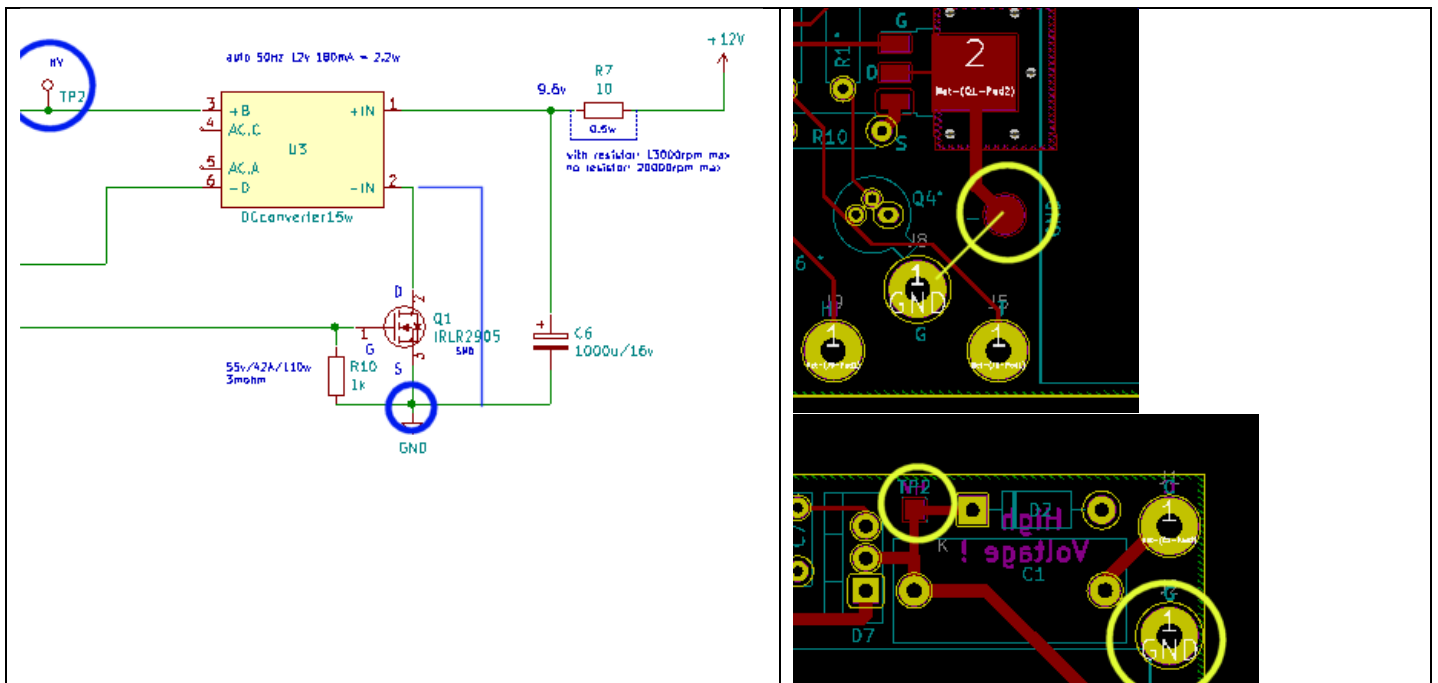


- 1) Remove the PIC
- 2) Use the multimeter in ohm position to check if no short between TP2 and GND



If shorted, replace D2 and D7

- 3) Power on the unit. Check the +12v and +5v lines. Power down the unit.
- 4) Connect pin 2 of DC converter to GND



Power on the unit. Check if around 300Vdc between GND and TP2
 If no HV: repair/replace DC Converter
 Remove the connection between pin2 and GND

- 4) Insert the PIC, power on the unit.
 Is the led flashing 2 or 4 times?
 Turn off the unit.

- 5) Connect a sparkplug connected to gnd.
 Close JP1 jumper to select "Autospark" mode. Turn on the unit.
 Voltage at TP2 should be around 200V. (On a True-RMS multimeter)
 Are there any spark?
 Turn off the unit.

