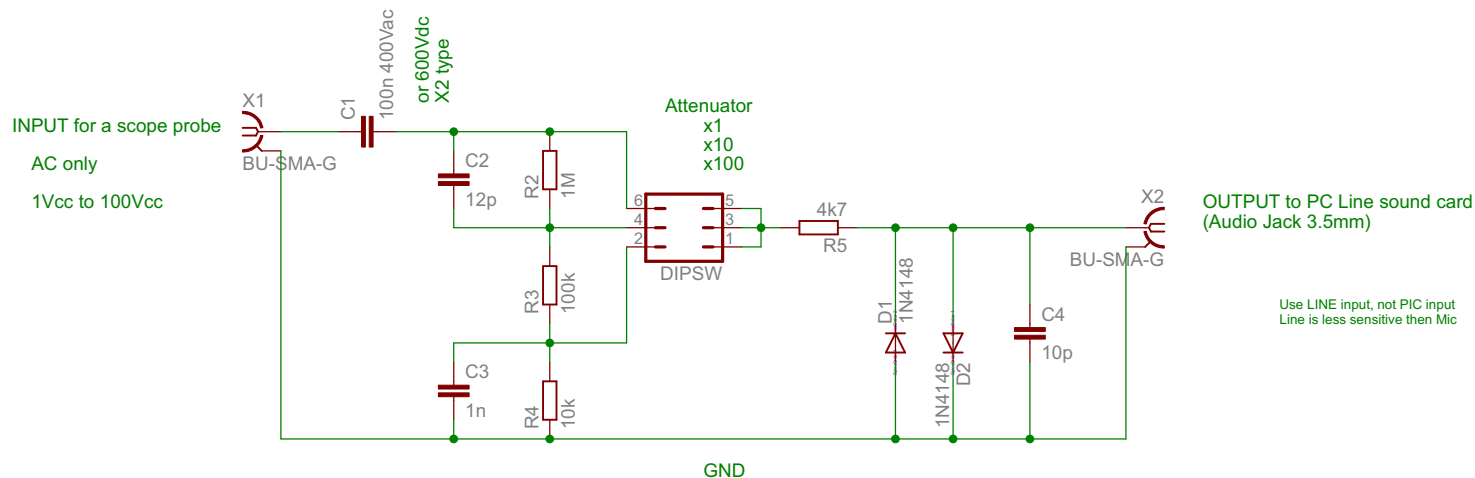
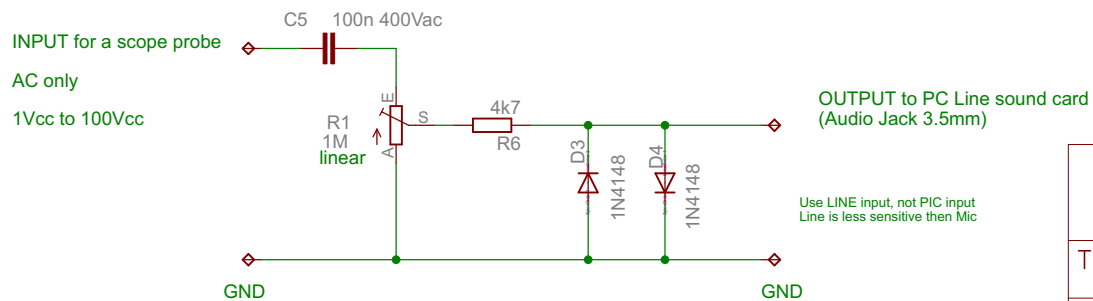


Adapter interface needed to use a PC sound card as a oscilloscope



For 2 channels (Line inputs Left and Right) : build two interfaces.

Another simplified version for the "Poor man".



Bear in mind that PC BOX IS CONNECTED TO THE GROUND INPUT.
NEVER connect the ground input of this adapter to a high tension !
ONLY CONNECT GROUND INPUT TO ANOTHER GROUNDED PART !

TITLE: interface_soundcard

Document Number:

REV:
1.0

Date: 01/12/2018 19:33:23

Sheet: 1/1